

# LIEBE™ PENDANT

PROJECT: \_\_\_\_\_

TYPE: \_\_\_\_\_

QUANTITY: \_\_\_\_\_



## PN: 441BE

<b>APPLICATION</b>	<ul style="list-style-type: none"><li>• PENDANT MOUNT</li><li>• INDOOR RATED</li></ul>
<b>DIMENSION</b>	<ul style="list-style-type: none"><li>• 20" DIA X 14" H (51CM X 36CM)</li></ul>
<b>ILLUMINATION</b>	<ul style="list-style-type: none"><li>• DIRECT</li><li>• LED 90CRI</li><li>• 266 LUMENS</li></ul>
<b>ELECTRICAL</b>	<ul style="list-style-type: none"><li>• 120 - 277V (347V CONSULT FACTORY)</li><li>• 10kA SURGE SUPPRESSION STANDARD</li></ul>
<b>DIFFUSERS</b>	<ul style="list-style-type: none"><li>• HIGH EFFICIENCY ACRYLIC DISCS</li></ul>
<b>MOUNTING</b>	<ul style="list-style-type: none"><li>• 120" (305CM) BLACK OR WHITE DROP CORD W/ AIRCRAFT CABLES</li></ul>
<b>CONSTRUCTION</b>	<ul style="list-style-type: none"><li>• ACRYLIC AND STEEL</li></ul>
<b>FINISHES</b>	<ul style="list-style-type: none"><li>• FAUX CHROME (F42) POWDER COATED</li></ul>
<b>DIMMING</b>	<ul style="list-style-type: none"><li>• 0 - 10V STANDARD DIMMING</li></ul>
<b>WEIGHT</b>	<ul style="list-style-type: none"><li>• 45 LBS MAXIMUM</li></ul>



**DIRECT**



# LIEBE™ PENDANT

PROJECT: \_\_\_\_\_

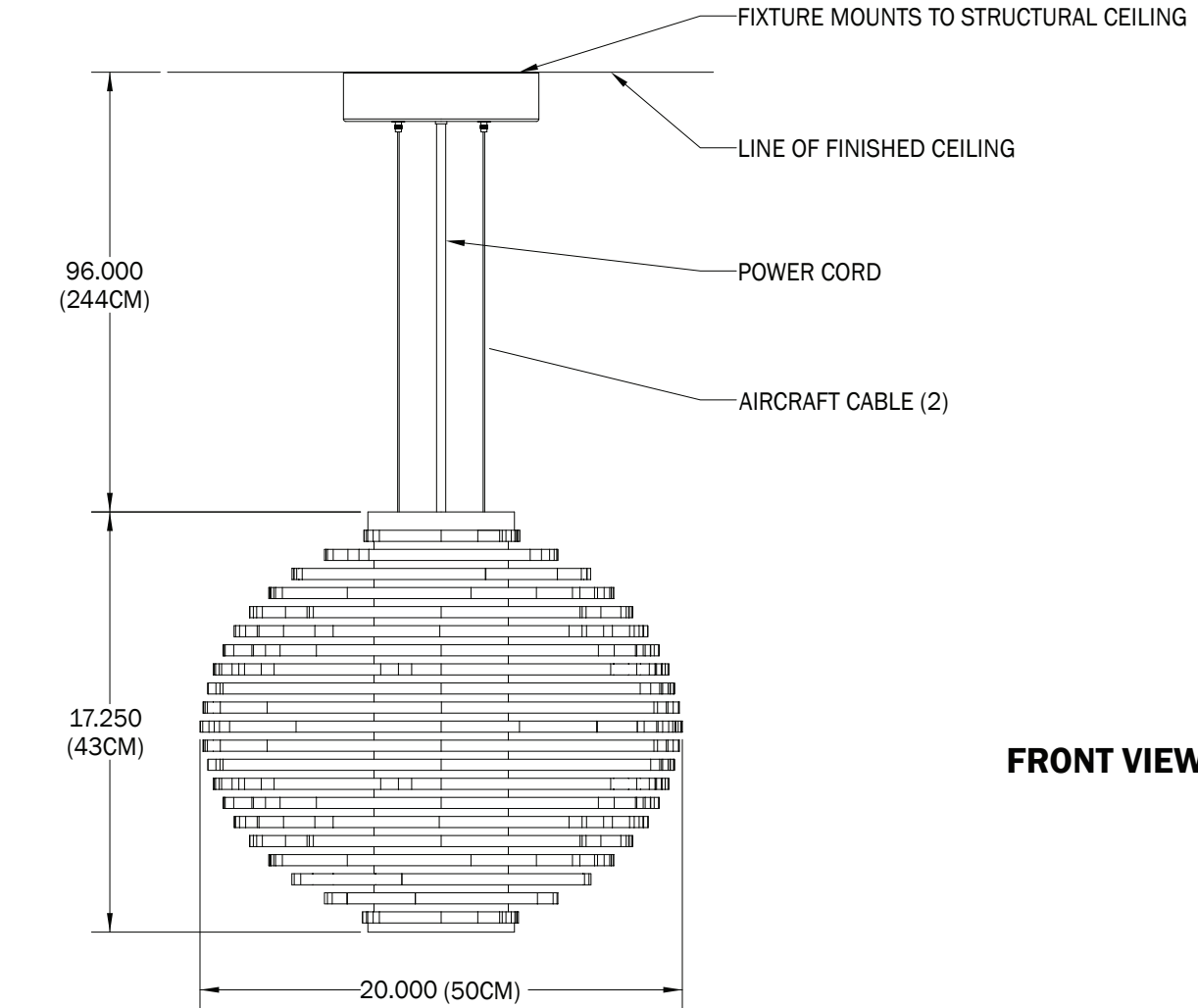
TYPE: \_\_\_\_\_

QUANTITY: \_\_\_\_\_

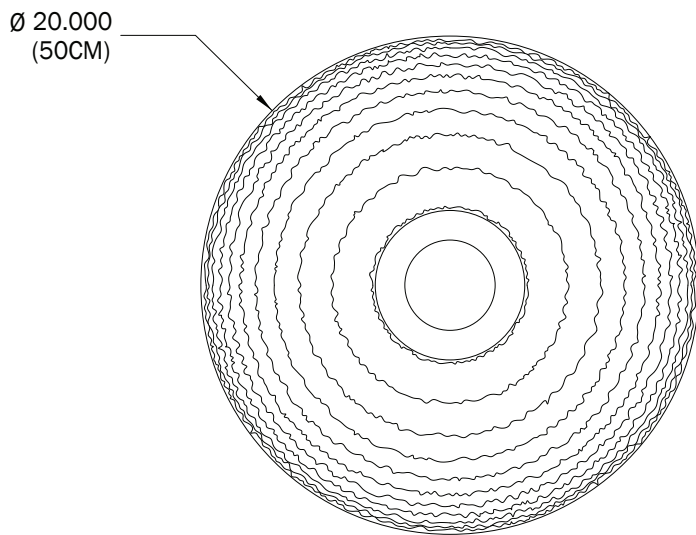
**441BE** - - - - - 1 - - - - - 2 - - - - - 3 - - - - - 4 - - - - - 5 - - - - - 6

<b>1.</b>	<b>ILLUMINATION</b>						
	<b>15LED</b>						
	LED (W)	15W					
LUMENS	266						
<b>2.</b>	<b>30K</b>		<b>35K</b>		<b>40K</b>		
	LED CCT	3000K	3500K		4000K		
<b>3.</b>	<b>120</b>			<b>277</b>			
	VOLTAGE	120V			277V		
<b>4.</b>	<b>BC</b>				<b>WC</b>		
	CORD	BLACK DROP CORD				WHITE DROP CORD	
<b>5.</b>	<b>FGE</b>	<b>FEW</b>	<b>CLA</b>	<b>CLR</b>	<b>CLB</b>	<b>CLY</b>	<b>CLG</b>
	ACRYLIC COLOR	FROSTED GREEN EDGE	FROSTED WHITE EDGE	CLEAR AMBER	CLEAR RED	CLEAR BLUE	CLEAR YELLOW
<b>6.</b>	---			<b>DIML</b>			
	DIMMING	NONE			LED DIMMING (1 - 10V, CURRENT - SINKING)		

NOTE: SOME OPTIONS MAY NOT BE COMPATIBLE WITH OTHERS. ALL SPECIFICATIONS ARE SUBJECT TO CHANGE WITHOUT NOTICE. CONTACT TMS LIGHTING FOR UPDATED SPECIFICATIONS.



**FRONT VIEW**



**BOTTOM VIEW**

**CUSTOM**

NOTE: THIS FIXTURE CAN BE CUSTOMIZE. DIMENSION, LAMP TYPES, ENCLOSURE, AND COLOR CAN BE MODIFIED TO SUIT YOUR LIGHTING AND ARCHITECTURAL REQUIREMENTS. CONTACT YOUR LOCAL REPRESENTATIVE FOR MORE DETAILS: <https://tmslighting.com/sales-agents.html>

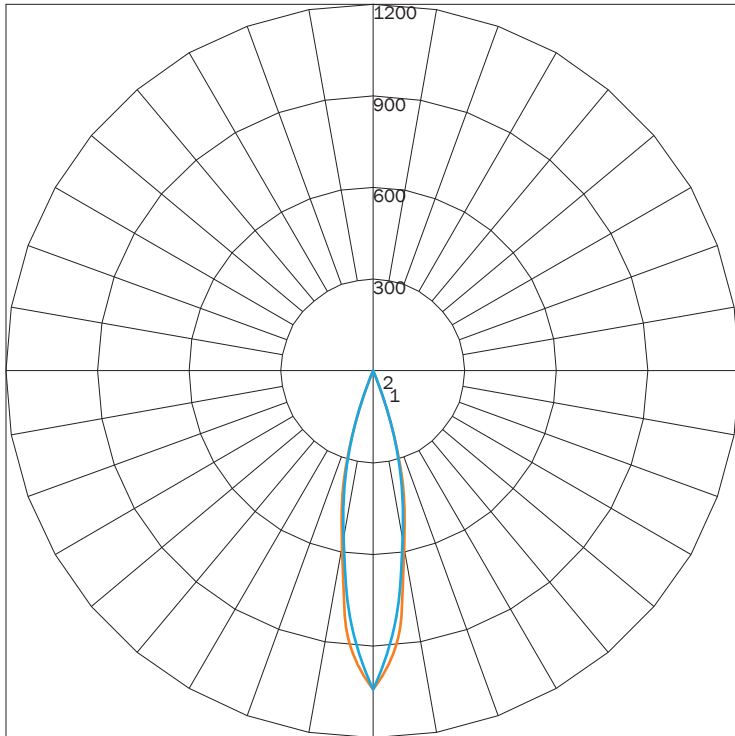
## DIRECT

PN	LUMENS	WATTAGE
441BE	266	15

### IES INDOOR REPORT

PHOTOMETRIC FILENAME : 441BE 15LED FEW.IES

### POLAR GRAPH



MAXIMUM CANDELA = 1041.21 LOCATED AT HORIZONTAL ANGLE = 0, VERTICAL ANGLE = 0  
 # 1 - VERTICAL PLANE THROUGH HORIZONTAL ANGLES (90 - 270)  
 # 2 - VERTICAL PLANE THROUGH HORIZONTAL ANGLES (0 - 180)

<b>LUMINAIRE LUMENS</b>	266
<b>TOTAL LUMINAIRE EFFICIENCY</b>	NA
<b>LUMINAIRE EFFICACY RATING</b>	37
<b>TOTAL LUMINAIRE WATTS</b>	7

## AVAILABLE FINISHES

---



**FGE**  
FROSTED  
GREEN  
EDGE



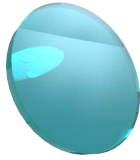
**FEW**  
FROSTED  
WHITE  
EDGE



**CLA**  
CLEAR  
AMBER



**CLR**  
CLEAR  
RED



**CLB**  
CLEAR  
BLUE



**CLY**  
CLEAR  
YELLOW



**CLG**  
CLEAR  
GREEN

NOTE: DISPLAYED FINISHES DIFFER BETWEEN SCREENS AS WELL AS PRINTERS AND MAY NOT ACCURATELY DEPICT COLOR.