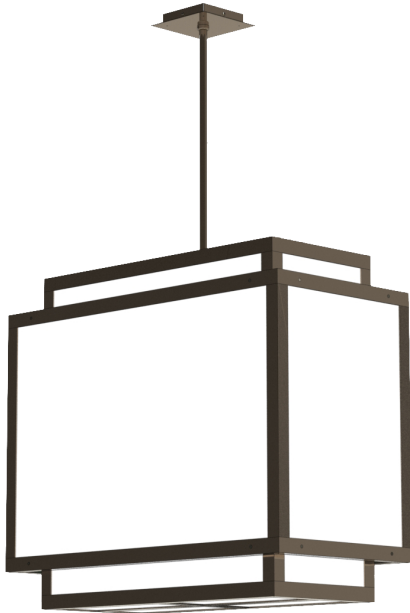


Turm 3



Features

- Clean, transitional design with high light output
- Expresses a unique style with a choice of attractive diffusers and finishes; options allow for design and application flexibility
- Soft, general diffuse pattern with excellent uniformity
- Efficient Cree™ LED sources for reduced lighting costs
- Surge suppressor protects the internal components
- Smooth dimming without any color shifts (option)
- Also see the Turm 1 and Turm 2 matching pendants

Applications

Turm 3 is ideal for illuminating spaces where the quality of light and style are important. It lends itself to indoor areas that could benefit from a general diffuse pattern with excellent horizontal and vertical illumination.

TMSLIGHTING

ESTABLISHED 1923

Construction

The frame, stem, ceiling canopy and internal hardware are made of steel. The diffuser panels are formed from acrylic.

Lamp

84W Cree™ LED, CRI 80; specify 3000K, 3500K, or 4000K CCT.

Diffuser

The diffuser panels are formed from UV-stabilized acrylic. Choose from the opal-white or sandblasted type.

LED Driver

The LED source is controlled by an advanced electronic driver that delivers consistent power.

Surge Suppressor

All 120V, 277V and universal voltage fixtures are equipped with a 6kV surge suppressor.

Dimming

The LED dimming option is the 0-10V, current-sinking type, with pulse width modulation (PWM). A current-sinking dimming system (by others) must be used with this option.

Note: Compatibility of this product is not guaranteed with all control systems.

Mounting

Mount on a flat ceiling, directly to a standard 4" electrical junction box. Adjust the aircraft cables (4) to the desired mounting height.

Follow the installation instructions, and adhere to your local electrical code.

Finish

Available in several TMS specialty plated and polyester powder-coated finishes. Custom and RAL finishes are also available by special order. See the Finishes and Diffusers chart for the complete collage.

Compliances

QPS-C/US, or UL-C/US certified to UL1598 standards. Rated IP20 for use in dry, indoor locations. The Consultants Europe (CE) listing is available upon request.





Turm 3

TMSLIGHTING

ESTABLISHED 1923

763TU

1 2 3 4 5 6

Project: _____
Type: _____
Quantity: _____

Notes:

1 • Lamping

84LED: 84W LED (CRI 80)

2 • LED CCT (color temp.)

30K: 3000K
35K: 3500K
40K: 4000K

3 • Voltage

120: 120V
277: 277V

4 • Finish

Plated

CH: Chrome
BC: Black chrome
SN: Satin nickel
AC: Antique copper
AB: Antique brass
PB: Polished brass
SB: Satin brass

Powder-coated

F05: White
F06: Clay
F07: Zeus brown
F08: Midnight blue
F09: Pewter
F10: Fire red
F13: Forest green
F14: Sunshine yellow
F15: Matte black
F16: Gloss black
F18: Satin aluminum
F19: Mirror silver
F21: Architectural bronze
F22: Harvest gold
F24: Melted platinum (textured)
F25: Melted gold (textured)
F26: Melted copper (textured)
F28: Faux nickel
F31: Silver metallic
F32: Metallic bronze
F33: Pyrite bronze
F34: Burnt orange
RAL: RAL custom color (specify)

5 • Diffuser

OP: Opal-white acrylic
SD: Sand-blasted, white acrylic

6 • Dimming

—: None
DIML: LED dimming (0-10V, current-sinking)
Note: Use a current sinking dimming system (by others) for LED dimming.
Compatibility of this product is not guaranteed with all control systems.

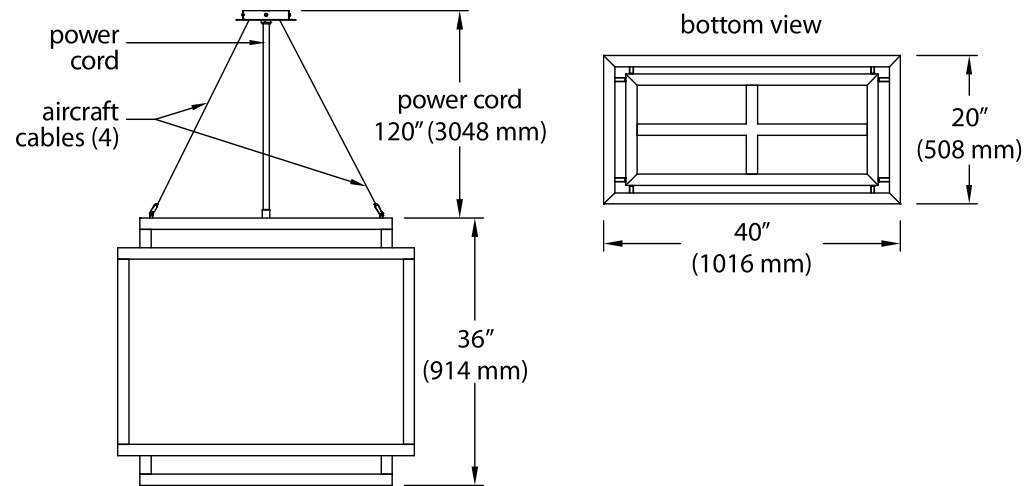
Note: Some options may not be compatible with others. To ensure compatibility, please visit tmslighting.com, on the "configure" page of this luminaire, and use the configuration tool.



Turm 3

TMSLIGHTING

ESTABLISHED 1923



Custom

TMS Lighting can customize this and many of our standard fixtures. The dimensions, lamp types, enclosure and colors could be modified to suit your lighting and architectural requirements. Contact your local representative for more details: <http://www.tmslighting.com/info/agents>

Specifications are subject to change without notice.

TMS Lighting Inc.
247A Summerlea Road,
Brampton, Ontario,
Canada. L6T 4E1

Web Site: tmslighting.com

North America: (905) 793-1174

Toll-free: (866) 793-1174

Fax: (905) 793-1175

UK & Europe: 44-1474-250-654